

# Australian/NZ and International Standards for Electrical Safety in Healthcare

Monday 8 October, 1.45 pm  
Concurrent Session 4 – Safety, P6 & P7, Plaza Level

International Standards for Electrical Safety in Healthcare –  
IEC60364-7-710, AS/NZS 3003 and AS/NZS 4510

Matthias Schwabe, Bender GmbH / WGKT  
George Kotenko, CAPTECH

Visit us at  
Booth no. 29

# Solutions acc. to AS/NZS 3003 and AS/NZS 4510

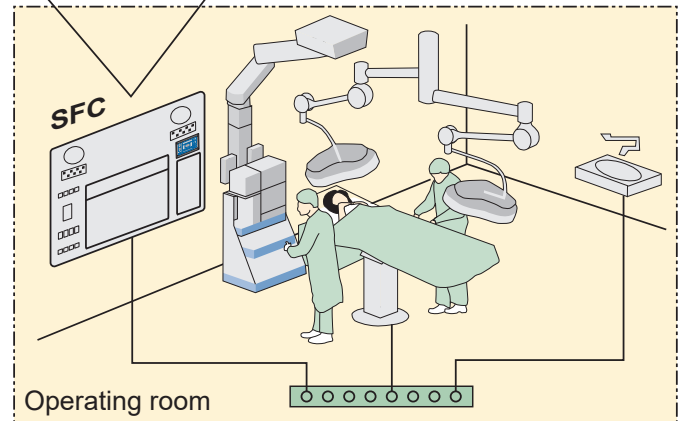
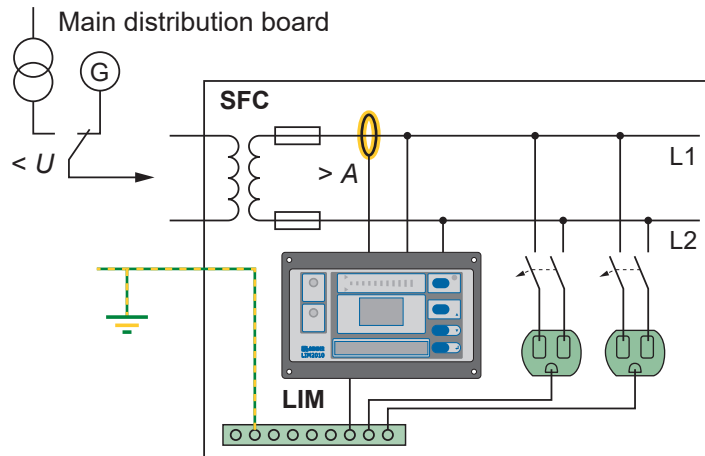


## LIM2010AU

Line Isolation Monitor (LIM) measures the total (prospective) hazard current (THC) in an isolated AC system.

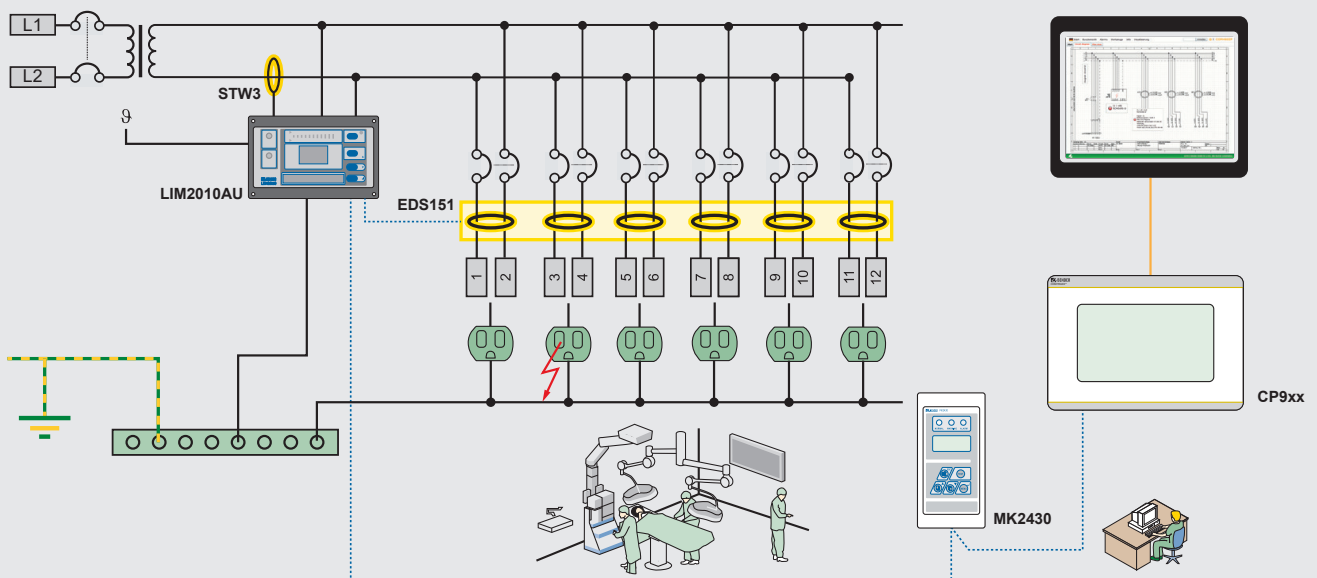
This product is specifically designed to meet the requirements of AS/NZS standards for Australia and New Zealand.

A specific test module LIM2010AU-T is required to meet those standards.



MK2000CBMAU indicates the status of LIM2010AU visually and audibly.

## What can you do in addition to both standards?



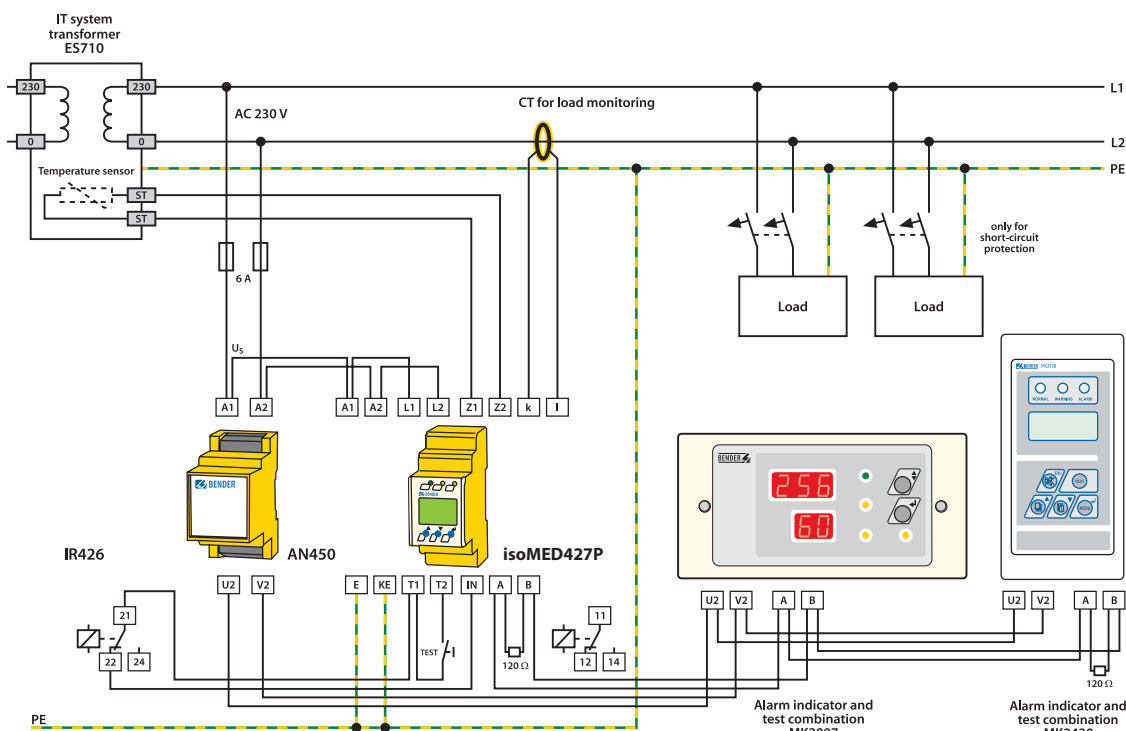
# Solutions acc. to IEC 60364-7-710



**ISOMETER® isoMED427P**  
Insulation monitoring for medical IT systems; load and temperature monitoring for medical isolating transformers in OT, ICU and other group 2 locations.



**MK2430** remote alarm indicator and test combination provides fault, alarm and operating messages from the monitoring devices acc. to IEC 60364-7-710 with clear and concise information to medical and technical staff.

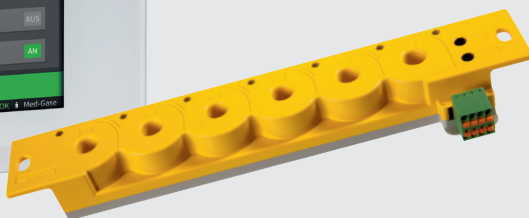


**UNIMET® 810ST**

- CP9xx (clear and advanced) information and visualization for technical and medical staff
- EDS151 (fault location) identifying faulty medical devices and equipment online in ICU and OT
- Connection to industry standard communication networks incl. Ethernet and Modbus
- Testing medical electrical equipment acc. to IEC 60601-1, 3<sup>rd</sup> Edition with UNIMET® 810ST



**COMTRAXX® CP9xx series**



**ISOSCAN® EDS151**



**Bender GmbH & Co. KG**

Postfach 1161 • 35301 Grünberg • Germany  
Londorfer Straße 65 • 35305 Grünberg • Germany  
Tel.: +49 6401 807-0 • Fax: +49 6401 807-259  
E-Mail: [info@bender.de](mailto:info@bender.de) • [www.bender.de](http://www.bender.de)

Photos: Thinkstock (© monkeybusinessimages) and Bender Archiv.



**Captech**

13/40 Edina Road • Ferntree Gully VIC 3156 • Australia  
Tel.: +61 3 9758 5866 • Fax: +61 3 9752 2067  
E-Mail: [bender@captech.com.au](mailto:bender@captech.com.au) • [www.captech.com.au](http://www.captech.com.au)



**BENDER Group**